



HA238SA-3710

All-In-One System

- Fancy All-In-One system
- INTEL® Pentium J3710 Quad-Core processors, 1.6GHz
- Support 1* 10/100/1000Mbps LAN
- Integrated HD Audio CODEC with 6.0 CH
- View angle and swivel stand adjustable
- Support Windows 8.1 and 10
- AIO Size : 23.8"

Introduction

Jetway HA238SA-3710 is a fancy All-In-One system, equipped with INTEL® Braswell Pentium J3710 Quad-Core Processor, up to 1000Mbps LAN speed, also offers DDR3L 1600 (Max 8GB) system memory and BIOS of 64MB SPI Flash ROM. OS support Windows 7 (64-bit), 8.1 and 10.

The HA238SA-3710 is view angle and swivel lift stand adjustable. Forward tilt is -5 to -2 degree; backward tilt is 20 to 23 degree; swivel range is 140 degree; clockwise is 90 degree. The vertical swivel lift range is 130mm+/-5. Jetway AIO system provides more convenience and flexibility.

The space-saving design of HA238SA-3710 fits perfectly into office and with the optional purchasable VESA-mount (100*100mm or 75*75mm), it is easily possible to mount it onto walls.

Jetway HA238SA-3710 is an ideal AIO system choice not only for business application but also for personal use.

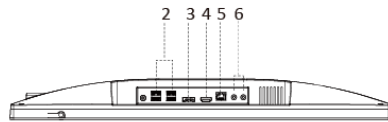
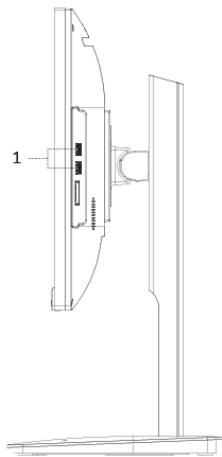
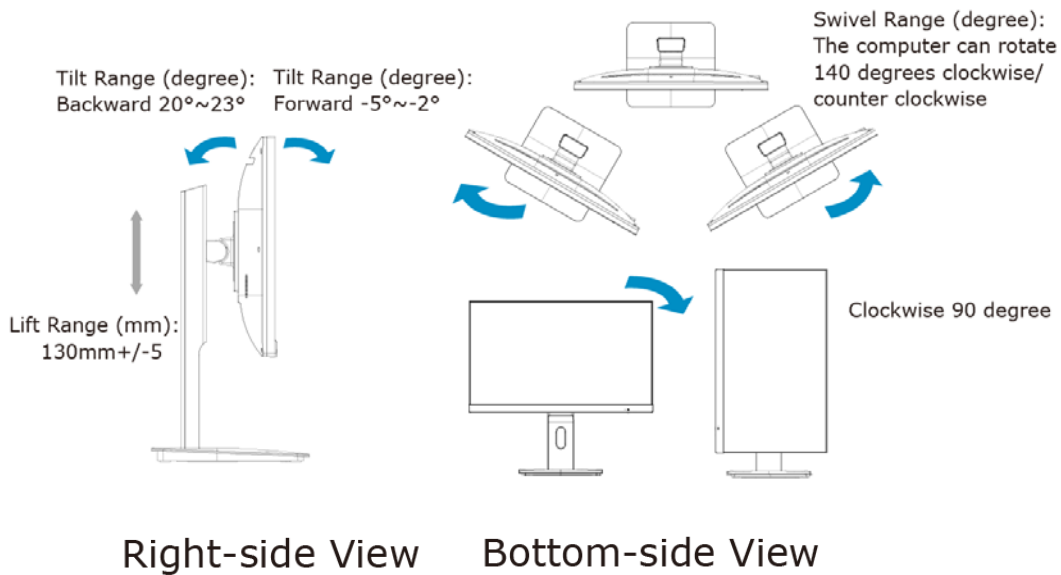


Specifications

Model	HA238SA-3710
Viewable Size Image	23.8 inch With LED Backlight
Active Area	527.04(H) x296.46(V)
Resolution	1920 x 1080 @60Hz
Display Color	16.7M
Pixel Pitch	0.274 x 0.274 mm
Aspect Ratio	16:9
Contrast Ratio	3000:1
Viewing Angle(H/V)	H178/V178
Response Time	24ms
Form Factor	Mini ITX
Processor	INTEL® Pentium J3710 Quad-Core Processor
System Chipset	INTEL® Braswell-D J3710 SOC
System Memory	DDR3L 1600 Memory, Max 8GB
BIOS	64MB SPI Flash ROM
Ethernet	1* 10/100/1000Mbps LAN
Audio	Realtek® ALC662 HD Audio
Storage	2* Serial ATA3 6Gb/s connectors 1* M.2 connector(2242/2260/2280)
WIFI Module	N/A (Optional)
Expansion	PCI-E mini card for WLAN
Display Output	DVI
I/O Port	1*DC Jack、4*USB3.0、2*USB2.0、1*LAN、1*DVI、 1*VGA、Line-out + MIC
Power Adapter	DC-IN 12V
OS Support	Windows 7(64-bit)/8.1/10
Temperature Range	0~ +50°C (Operating)
Humidity	20%~90% (non condensing)
Certification	FCC, CE, RoHS

Mechanical

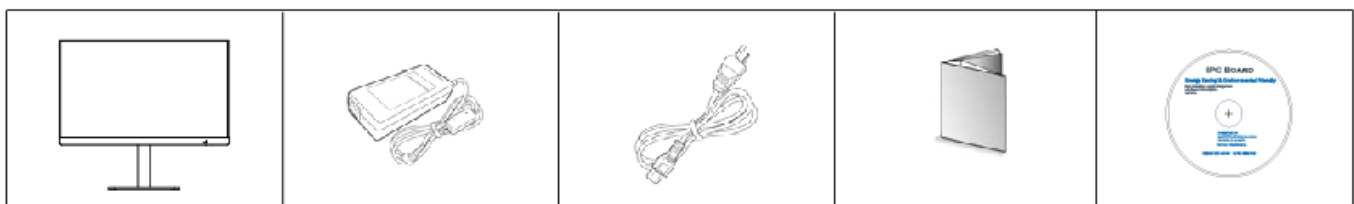
Adjustment of view angle



1. 4*USB3.0 Ports
2. 2*USB2.0 Ports
3. 1*DVI Port
4. 1*VGA Port
5. 1*RJ45 Port
6. 1*Line-out & 1*MIC



Box Contents



HA238SA-3710

60W
AC-DC Adapter

Power Cord

User Manual

CD